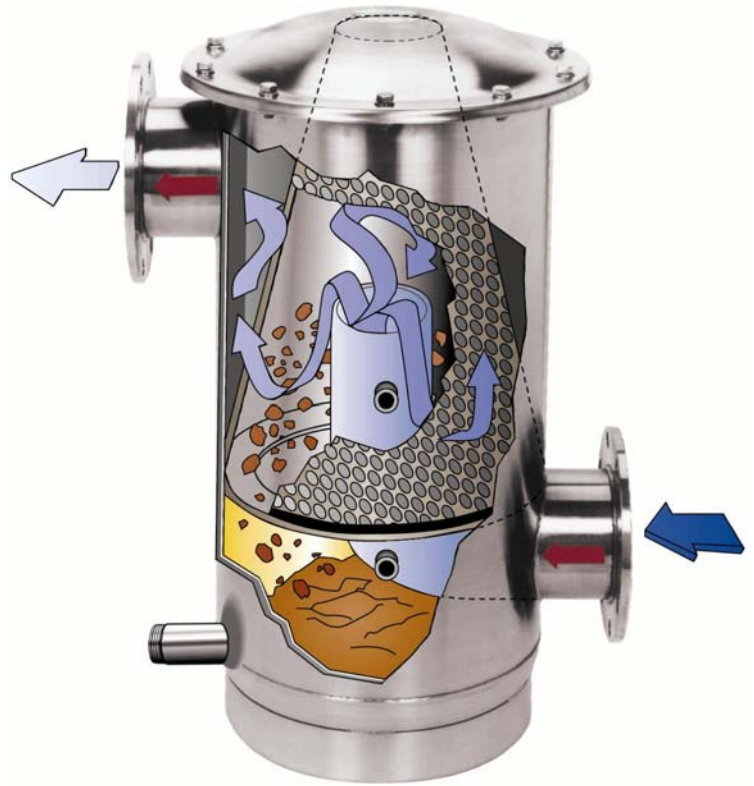


# WATER TREATMENT

# FS Series FILTERS

All FS series filters come with a stainless steel housing and conical shaped stainless steel filter screen. The unique design allows the sediment to be flushed from the filter while in service, without compromising cooling system pressure integrity.

- 60 mesh standard for cooling tower systems
- 100 mesh standard for central chiller systems
- Up to 200 mesh
- 100-2000 GPM flow rate with less than 1 PSI pressure drop
- Pressure gauges on inlet and outlet
- Optional electronic package to monitor pressure differential and automatically flush reservoir

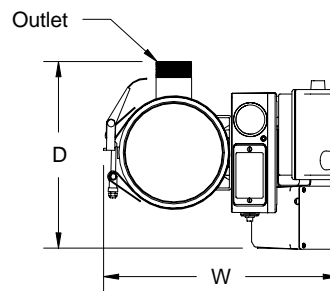
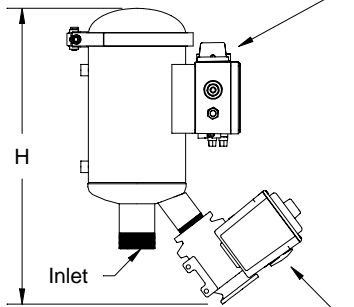


Fluid enters filter at bottom and flows through self-cleaning, conical filter as shown here



FS4 shown

Pressure Differential Alarm (optional)

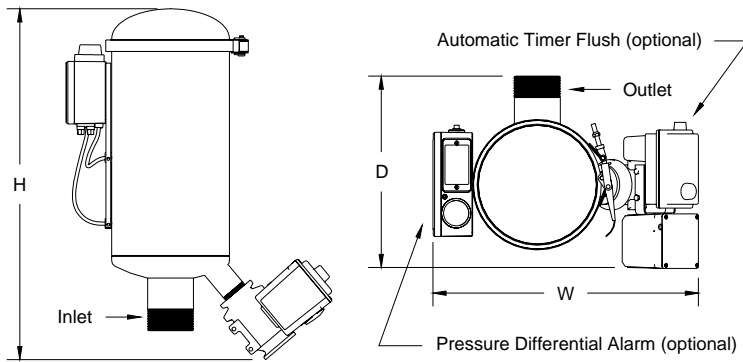


Automatic Timer Flush (optional)

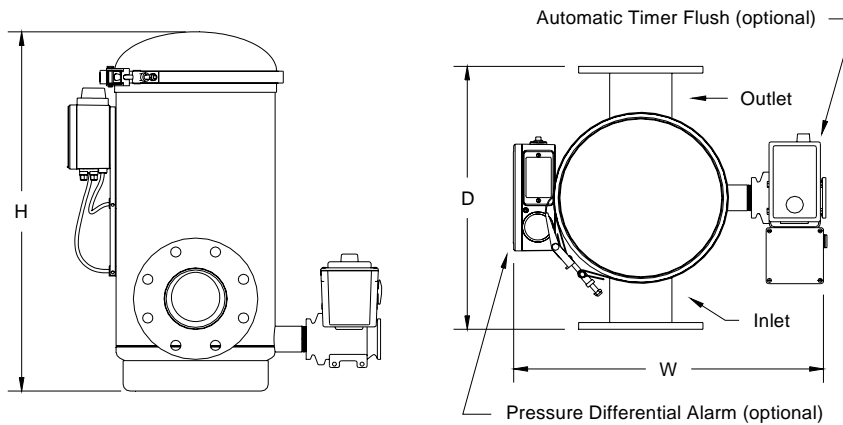
Model	Dimensions Inches			Connection Size Inches		Flush Port Inches	Weight Lbs.
	H	W	D	Inlet	Outlet		
FS2	15 7/8	15 3/4	12 1/4	2	2	1 1/2	13



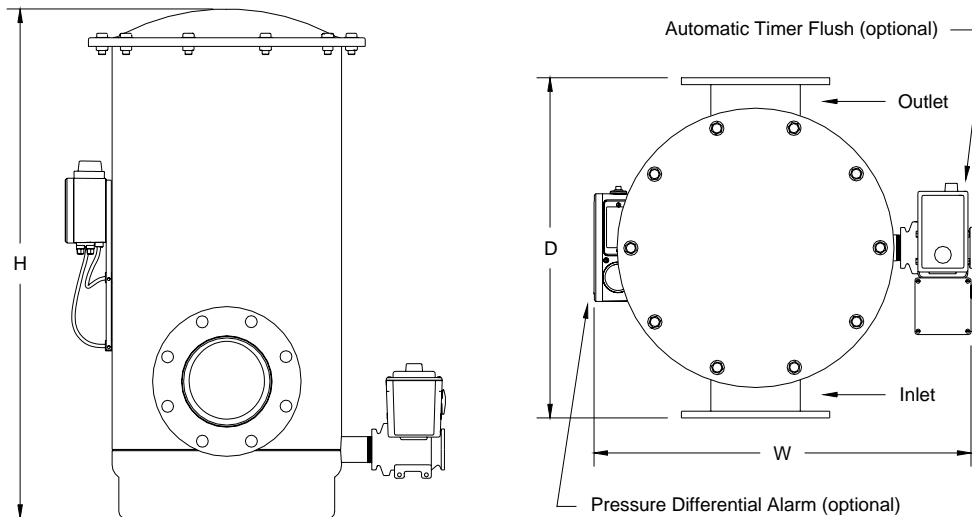
Engineered Water Systems



Model	Dimensions Inches			Connection Size Inches		Flush Port Inches	Weight Lbs.
	H	W	D	Inlet	Outlet		
FS3	24 1/2	20 1/4	14 1/2	3	3	1 1/2	27



Model	Dimensions Inches			Connection Size Inches		Flush Port Inches	Weight Lbs.
	H	W	D	Inlet	Outlet		
FS4	25 1/2	22 3/4	19 1/2	4	4	1 1/2	60



Model	Dimensions Inches			Connection Size Inches		Flush Port Inches	Weight Lbs.
	H	W	D	Inlet	Outlet		
FS6	37 1/2	28 1/4	25	6	6	1 1/2	125
FS8	48 1/4	34 1/4	31 1/2	8	8	1 1/2	230
FS10	59 1/2	41 1/4	39 3/4	10	10	1 1/2	400