

# MOLD TEMPERATURE CONTROLLER

# MT Series

- 3/4 to 7 1/2 HP
- Proprietary Microprocessor Control
- Long-life Incoloy Heaters
- Premium Quality Solenoid Valve
- Lifetime Seal Warranty
- Lifetime Pump/Heater Casting Warranty

The MT series mold temperature controllers are made with the best available parts, and are one of the best values in the market today.



MT9-55 shown

## STANDARD FEATURES

- Pump seal flush line assures continuous flow across seal to remove contaminants
- High capacity pump (3/4 to 7 1/2 HP) comes with bronze of stainless steel impellers
- Long-life, low-watt density incoloy heaters (9-24 kw) resist corrosion better than copper or stainless steel
- Premium quality solenoid valve for precise temperatures
- Leak-proof, cast twin tank/pump assembly eliminates pipe fittings and flow restrictions
- Internal bypass line for protection under low flow conditions
- Severe duty pump seal made of leak-resistant silicon carbide
- Removable top, front and side panels for easy access to interior
- Seal saver automatically cools process water to 90°F to lower hose temperatures and help prevent burns to operator

## AVAILABLE OPTIONS

- Heat exchanger
- Hand held remote control
- Larger cooling solenoid valves
- Modulating cooling valves
- Lockable rotary disconnect switch
- Pressure gauges
- Mold water purge
- Crash cool
- SPI communications
- Stacking bracket kit
- 36 kw, 48 kw and 60 kw units
- Nonferrous coating on castings

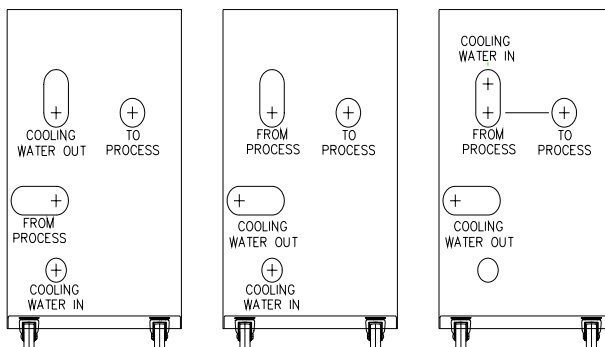
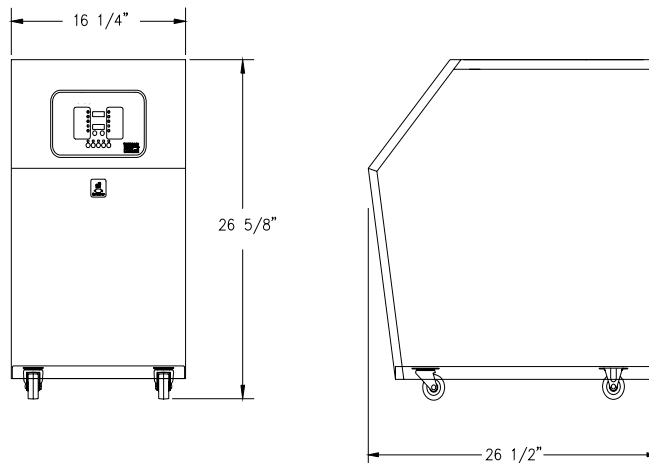
## WARRANTY

- Lifetime pump/heater casting
- Lifetime pump seal (standard units)
- 5 year parts microprocessor with \$175 lifetime exchange policy
- 2 year parts and labor

## MT SERIES SPECIFICATIONS

Model	Heater (KW)	Pump (HP)	Pump (GPM)	Nameplate Amps (460 Volt)	Weight (Lbs.)
MT9-40	9	0.75	40	13	210
MT9-45	9	1	45	13	210
MT9-55	9	2	55	14	215
MT9-70	9	3	70	15	220
MT9-85	9	3	85	15	220
MT9-100	9	5	100	17	240
MT9-110	9	7.5	110	20	245
MT12-40	12	0.75	40	17	210
MT12-45	12	1	45	17	210
MT12-55	12	2	55	18	215
MT12-70	12	3	70	19	220
MT12-85	12	3	85	19	220
MT12-100	12	5	100	21	240
MT12-110	12	7.5	110	24	245

Model	Heater (KW)	Pump (HP)	Pump (GPM)	Nameplate Amps (460 Volt)	Weight (Lbs.)
MT18-40	18	0.75	40	24	230
MT18-45	18	1	45	24	230
MT18-55	18	2	55	25	235
MT18-70	18	3	70	26	240
MT18-85	18	3	85	26	240
MT18-100	18	5	100	28	260
MT18-110	18	7.5	110	31	265
MT24-40	24	0.75	40	32	230
MT24-45	24	1	45	32	230
MT24-55	24	2	55	33	235
MT24-70	24	3	70	34	240
MT24-85	24	3	85	34	240
MT24-95	24	5	95	36	260
MT24-110	24	7.5	110	39	265



Connection (Inches)

- To Process = 1 1/2
- From Process = 1 1/2
- Cooling Water In = 1
- Cooling Water Out = 1/2

**H<sub>2</sub>O**  
Engineered Water Systems